

# **GALFRE**

## **COSTRUZIONI MACCHINE AGRICOLE**

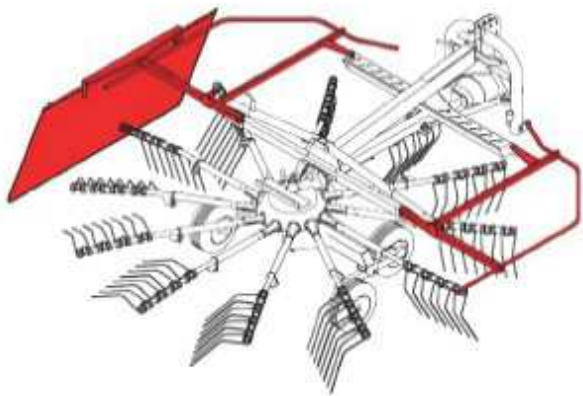
di **GALFRE' DOMENICO & C. s.r.l.**  
Via Centallo, 136 - ROATA CHIUSANI  
12044 CENTALLO (CN) – ITALY  
Tel. 0171.718005 – Fax 0171.718004  
[www.galfre.net](http://www.galfre.net)  
[info@galfre.net](mailto:info@galfre.net)

### **SPARE PARTS LIST**



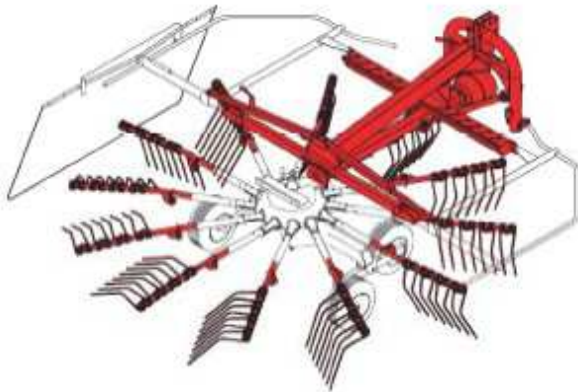
### **ROTARY RAKE AG**

**AG 420/12 – AG460/12**



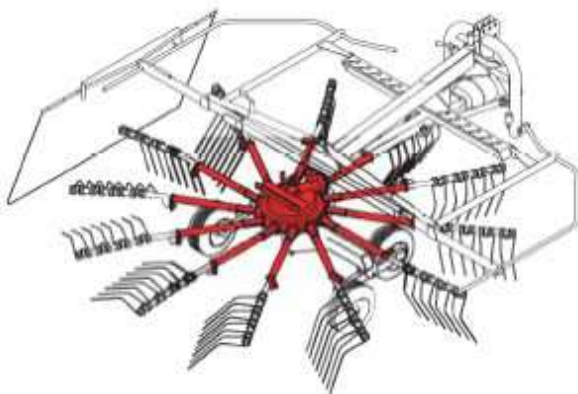
Protections

tav. 1



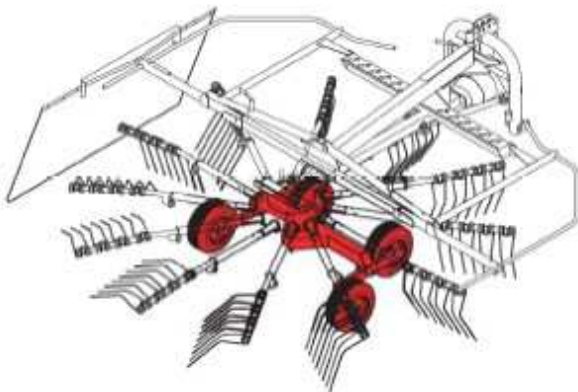
Frame - Hitch

tav. 2



Arms group

tav. 3



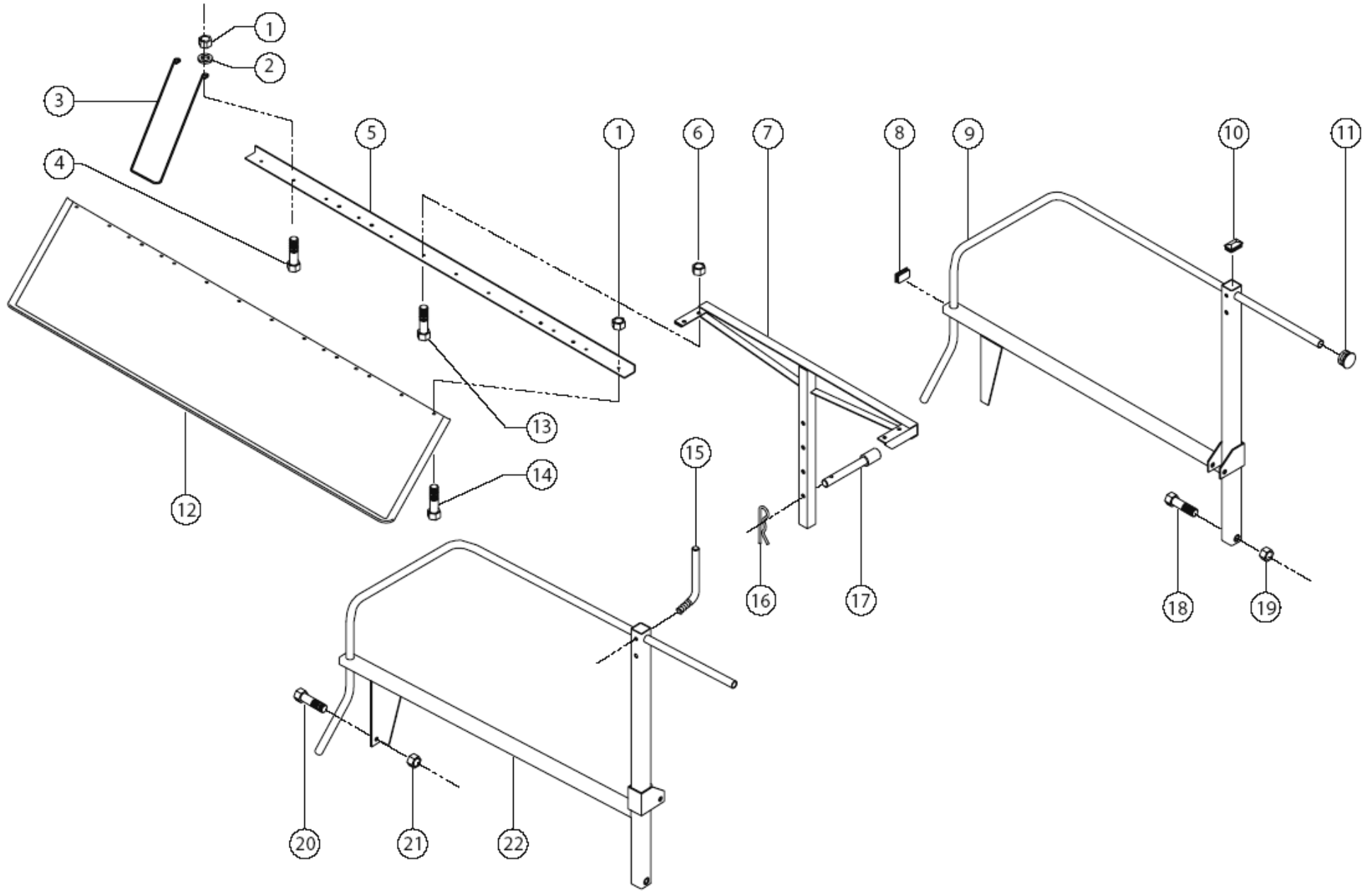
Wheels' frame

tav. 4



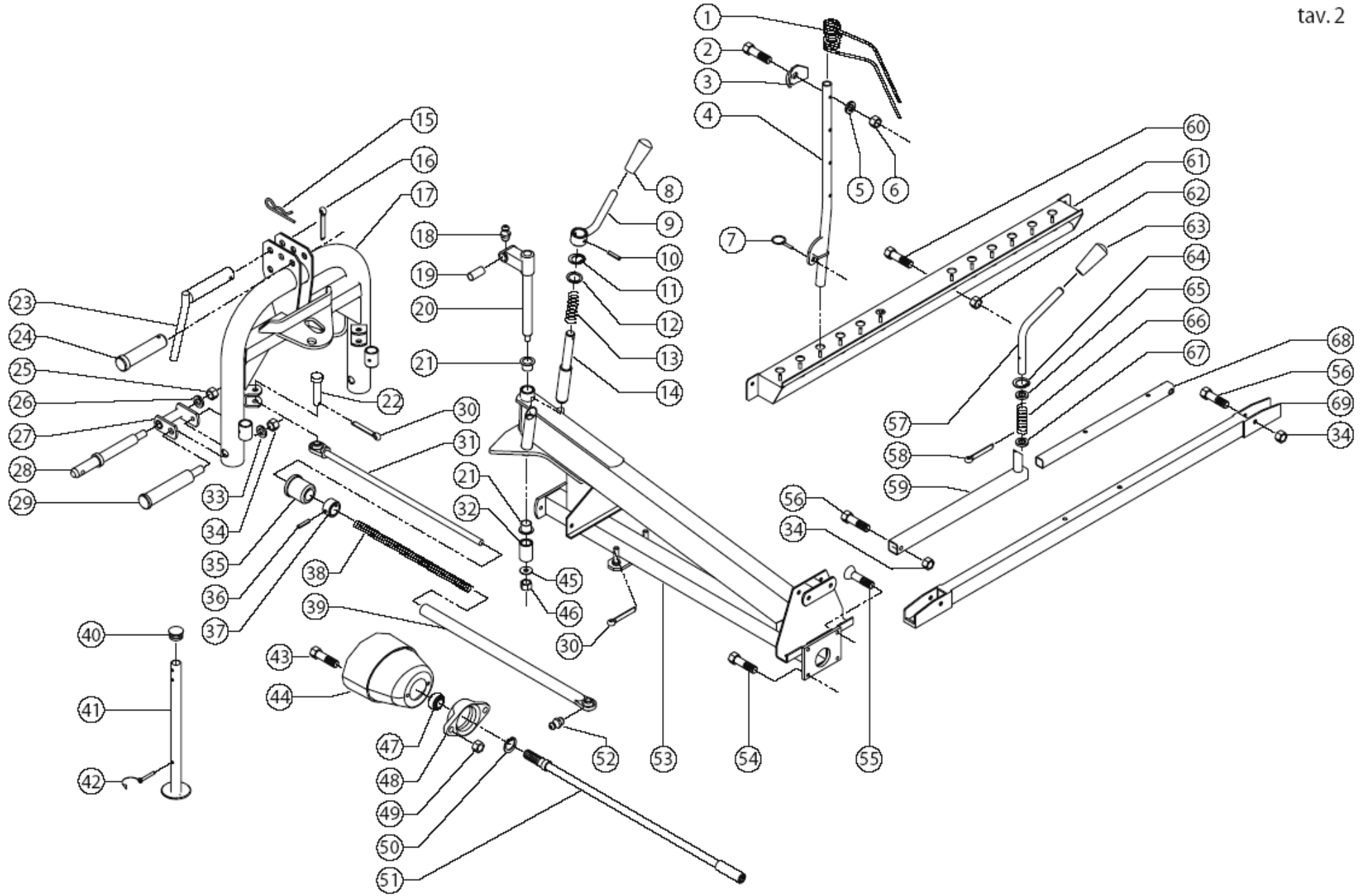
Cardan

tav. 5



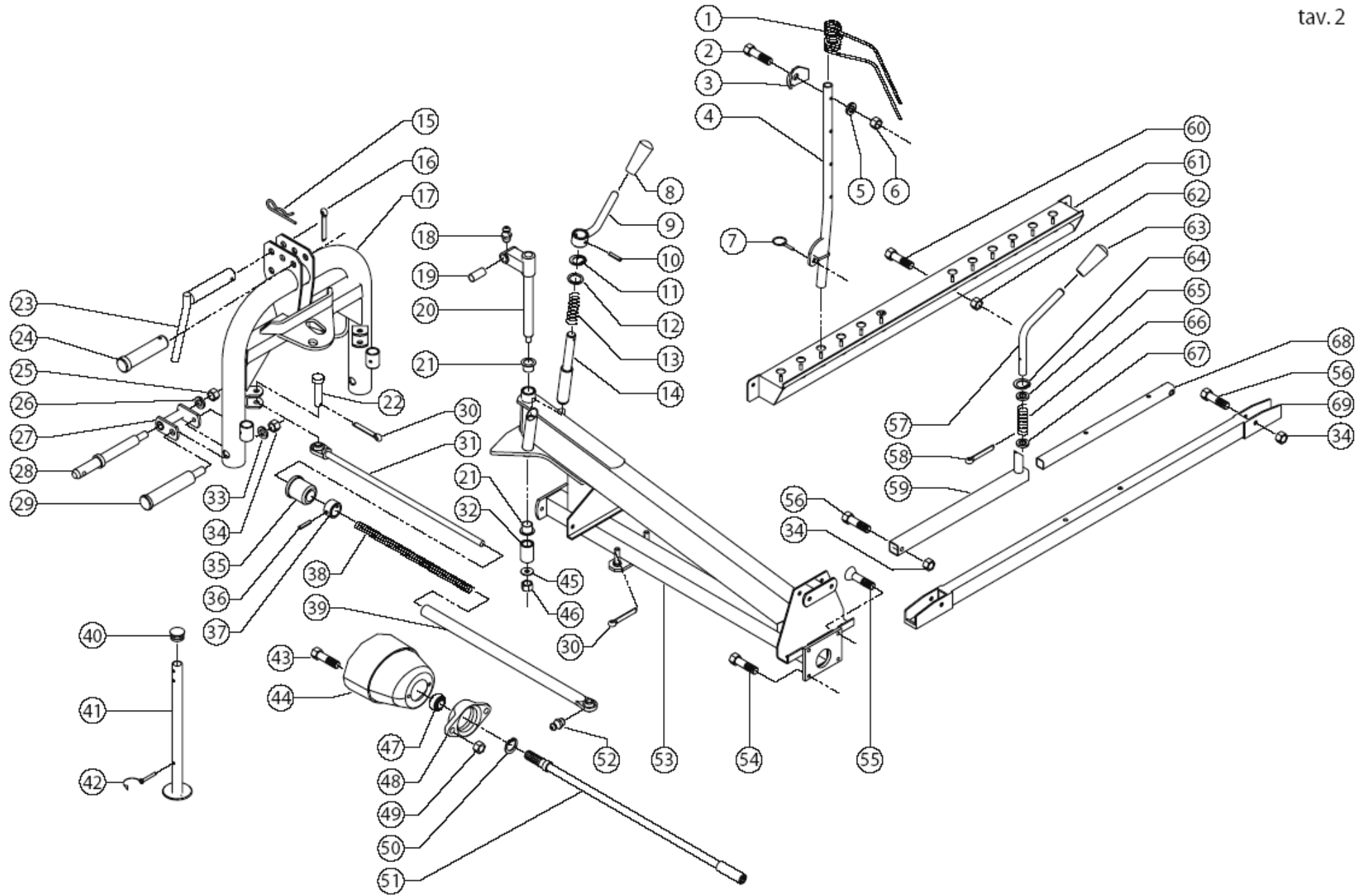
**TABLE 1**

<b>POS.</b>	<b>DESCRIZIONE</b>	<b>DATA</b>	<b>CODE</b>	<b>QUANTITY</b>
1	SELF-LOCKING NUT	UNI 7473 ISO 10511 M8	DA100008	6
2	FLAT WASHER	UNI 6593 ISO 7093 M8X24	RO309024	6
3	SWATHER TINE		AG12P001	3
4	SCREW	UNI 5737 ISO 4014 M8x25	V0108025	6
5	SWATHER BAR SUPPORT		AG12P002	1
6	SELF-LOCKING NUT	UNI 7473 ISO 10511 M12	DA100012	2
7	SWATHER FRAME SUPPORT		AG12P003	1
8	PLASTIC PLUG		TA330050	2
9	RIGHT GUARD		AG12P004	1
10	PLASTIC PLUG		TA200050	1
11	PLASTIC PLUG		TA100030	4
12	RUBBER SWATHER		AG12P005	1
13	SCREW	UNI 5737 ISO 4014 M12x30	V0112030	2
14	SCREW	UNI 5737 ISO 4014 M8x20	V0108020	6
15	LOCK SCREW	M14	AG12P006	1
16	SNAP PIN	UNI 8833A D4	CO400004	1
17	PIN		AG12P007	1
18	SCREW	UNI 5737 ISO 4014 M16x100	V0116100	2
19	SELF-LOCKING NUT	UNI 7473 ISO 10511 M16	DA100016	2
20	SCREW	UNI 5737 ISO 4014 M14x40	V0114040	2
21	SELF-LOCKING NUT	UNI 7473 ISO 10511 M14	DA100014	2
22	LEFT GUARD		AG12P008	1



**TABLE 2 (1-2)**

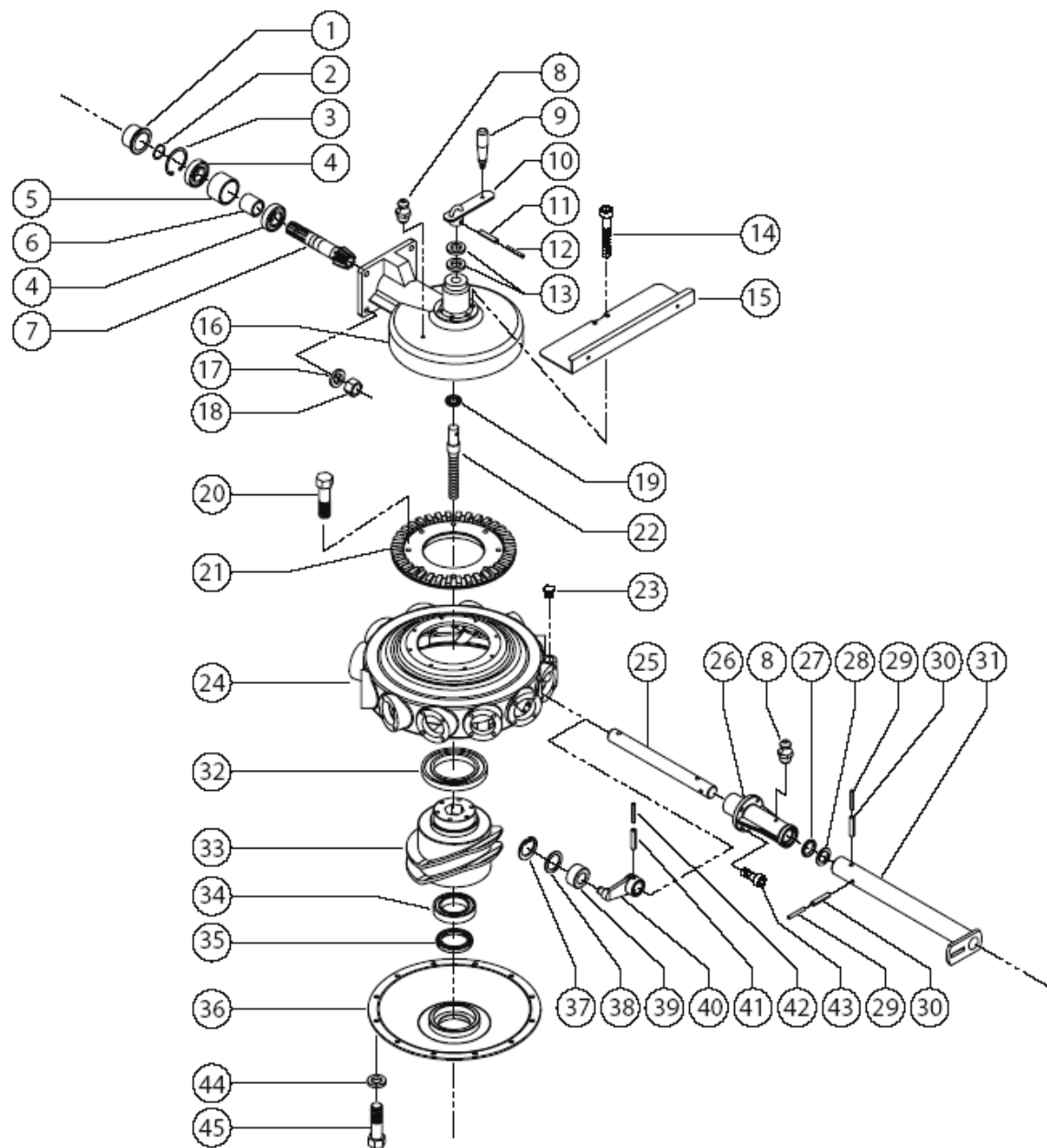
POS.	DESCRIZIONE	DATA	CODE	QUANTITY
1	TINE		AG10T014	48
2	SCREW	UNI 5737 ISO 4014 M12x70	V0112070	48
3	CLAMP		AG10T015	48
4	RAKE ARM		AG12P009	12
5	FLAT WASHER	UNI 6593 ISO 7093 M12	RO100012	48
6	SELF-LOCKING NUT	UNI 7473 ISO 10511 M12	DA100012	48
7	LYNCH PIN		CO310046	12
8	KNOB	D14	AG10T013	1
9	LEVER FOR BLOCK PIN		AG12P010	1
10	SPRING PIN	UNI 6873 ISO 8752 6x30	SP106030	1
11	INTERNAL RETAINING RING	UNI 7437 DIN 472 D30	AN300030	1
12	SPECIAL WASHER	d22 D26 SP1	RO222261	1
13	SPRING		AG12P011	1
14	PIN FOR LOCK		AG12P012	1
15	SNAP PIN	UNI 8833A D5	CO400005	1
16	COTTER PIN	UNI 1336 ISO 1234 D5 L40	CO105040	1
17	3 POINT LINKAGE		AG12P013	1
18	GREASE NIPPLE	UNI 7663A ISO 6392A M8x1	IN1008X1	1
19	PLASTIC BUSHING	d26 L65 SP3	BO226503	1
20	YOKE SHAFT		AG12P014	1
21	PLASTIC BUSHING		BO100001	2
22	PIN FOR STABILIZER		AG12P015	2
23	PIN FOR 3 POINT LINKAGE		AG12P016	1
24	PIN FOR YOKE SHAFT		AG12P017	1
25	SELF-LOCKING NUT	UNI 7473 ISO 10511 M18	DA100018	2
26	FLAT WASHER	UNI 6593 ISO 7093 M18	RO100018	2
27	BRACKET		AG12P018	2
28	LOWER LINK PIN		AG12P019	2
29	PIN FOR BRAKET		AG12P020	2
30	COTTER PIN	UNI 1336 ISO 1234 D6 L50	CO106050	4
31	ROD FOR STABILIZER		AG12P021	2
32	STEEL BUSHING	d35 D50 L75	AG12P022	1
33	FLAT WASHER	UNI 6593 ISO 7093 M12	RO100012	2
34	SELF-LOCKING NUT	UNI 7473 ISO 10511 M16	DA100016	2
35	PLASTIC BUSHING		BO100002	2
36	SPRING PIN	UNI 6873 ISO 8752 5x50	SP105050	2
37	METAL RING		AG12P023	2
38	SPRING		AG12P024	2
39	CYLINDER LINER FOR STABILIZER		AG12P025	2
40	PLASTIC PLUG		TA330040	2
41	SUPPORT		AG12P026	2
42	LOCK PIN	D10 L70	CO210070	2
43	SCREW	UNI 5737 ISO 4014 M14x50	V0114050	2
44	PTO GUARD		AG12P027	1
45	FLAT WASHER	UNI 6593 ISO 7093 M18x48	RO318484	1
46	SELF-LOCKING NUT	UNI 7473 ISO 10511 M18	DA100018	1
47	BEARING 6207 2RS1	6207 2RS1	62072RS1	1
48	SUPPORT BALL BEARING		AG12P028	1
49	SELF-LOCKING NUT	UNI 7473 ISO 10511 M14	DA100014	2
50	EXTERNAL RETAINING RING	UNI 7435 DIN 471 D35	AN100035	1
51	SHAFT AG420/12		AG12P029	1
51	SHAFT AG460/16		AG12P048	1
52	GREASE NIPPLE	UNI 7663A ISO 6392A M6x1	IN1006X1	2



**TABLE 2 (2-2)**

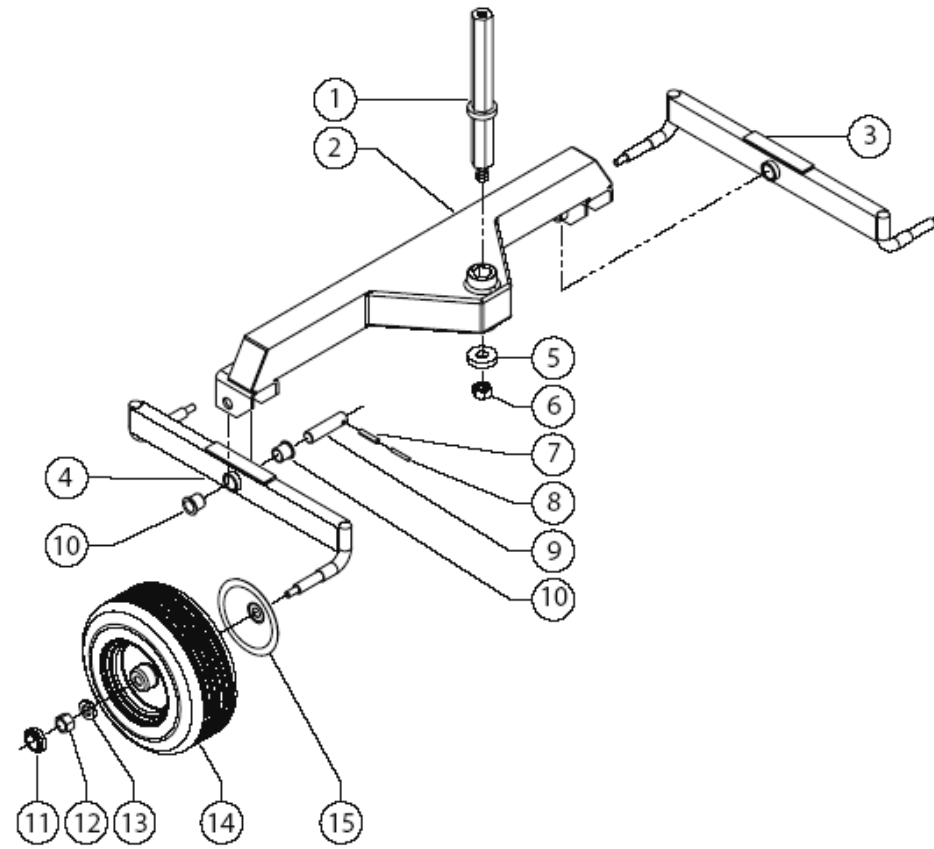
<b>POS.</b>	<b>DESCRIZIONE</b>	<b>DATA</b>	<b>CODE</b>	<b>QUANTITY</b>
53	FRAME AG420/12		AG12P030	1
53	FRAME AG460/12		AG12P047	1
54	SCREW	UNI 5737 ISO 4014 M14x50	V0114050	2
55	SCREW S.F.H.	UNI 5933 ISO 10642 14x50	V0214050	2
56	SCREW	UNI 5737 ISO 4014 M16x100	V0116100	2
57	HANDLE PIN	D14	AG10T035	2
58	COTTER PIN	UNI 1336 ISO 1234 D3 L25	CO103025	2
59	EXTERNAL SUPPORT ARM		AG10T035	2
60	SCREW S.F.H.	UNI 5933 ISO 10642 14x30	V0214030	2
61	ARMS HOLDER		AG12P031	1
62	SELF-LOCKING NUT	UNI 7473 ISO 10511 M14	DA100014	2
63	KNOB	D14	AG10T013	2
64	INTERNAL RETAINING RING	UNI 7437 DIN 472 D26	AN300026	2
65	SPECIAL WASHER	d14 D26 SP1	RO214261	2
66	SPRING		AG10T011	2
67	SPECIAL WASHER	d14 D26 SP1	RO214261	2
68	INTERNAL SUPPORT ARM		AG10T041	2
69	GUARD HOLDER		AG10T042	1





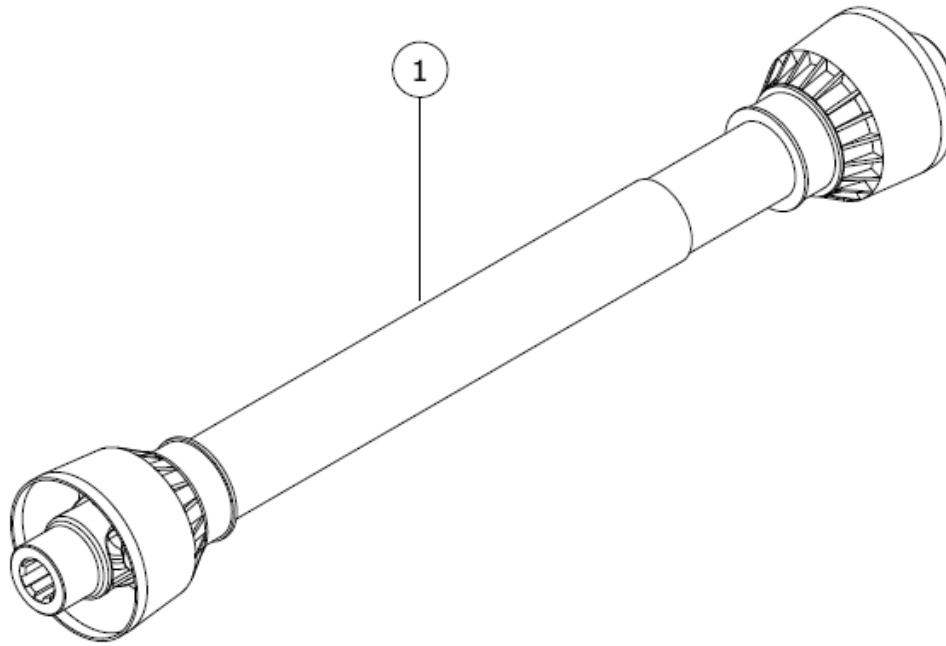
**TABLE 3**

POS.	DESCRIZIONE	DATA	CODE	QUANTITY
1	CENTERING BUSHING	d50 D60 H42 COLLARE D72 SP7	AG10T033	1
2	EXTERNAL RETAINING RING	UNI 7436 DIN 471 D35	AN200035	1
3	INTERNAL RETAINING RING	UNI 7437 DIN 472 D72	AN300072	1
4	BEARING	6207-2RS	6207-2RS	2
5	SPACER	d63 D71 L41	AG10T037	1
6	SPACER	d36 D43 L41	AG10T038	1
7	PINION GEAR SHAFT		AG12P032	1
8	GREASE NIPPLE	UNI 7663A ISO 6392A M8x1	IN1008X1	13
9	KNOB		MA212094	1
10	HEIGH REGULATION LEVER		A2720083	1
11	SPRING PIN	UNI 6873 ISO 8752 8X45 (DA L50)	SP108045	1
12	SPRING PIN	UNI 6873 ISO 8752 5X45 (DA L50)	SP105045	1
13	FLAT WASHER	UNI 6592 ISO 7089 M24	RO100024	2
14	SCREW S.H.C.	UNI 5931 ISO 4762 M10X80	V0410080	6
15	PLATE HOLDER		AG10T052	1
16	FIXED HOUSING		AG12P033	1
17	WAVE WASHER	UNI 8840 DIN 137A M14	RO500014	4
18	SELF-LOCKING NUT	UNI 7473 ISO 10511 M14	DA100014	4
19	HEAD-PUSH BEARING	51205	51205	1
20	FLANGE SCREW	UNI 5541 ISO 1665 DIN 6921 M10x20	V0510020	8
21	CROWN GEAR		AG12P034	1
22	THREADED PIN	M24	A2720084	1
23	OIL PLUG	1/2"	TO1001/2	2
24	ROTATING BODY	12 BRACCI - ARMS	AG12P035	1
25	SWINGING SHAFT		AG10T054	12
26	ARM SUPPORT		AG10T055	12
27	SEAL RING	35X47X7	AT354707	12
28	NYLON WASHER	d32 D53 SP2	RO832532	12
29	SPRING PIN	UNI 6873 ISO 8752 6X60	SP106060	24
30	SPRING PIN	UNI 6873 ISO 8752 10X60	SP110060	24
31	ARM HOLDER TUBE AG420/12		AG12P036	12
32	ARM HOLDER TUBE AG460/12		AG12P049	12
32	BEARING	16022	16022	1
33	CAM		AG12P037	1
34	BEARING	6014	6014	1
35	SEAL RING	90X70X10	AT907010	1
36	DOWN CAP		AG10T060	1
37	EXTERNAL RETAINING RING	UNI 7436 DIN 471 D22	AN200022	12
38	WASHER	UNI 6592 ISO 7089 M22	RO100022	12
39	ROLL		AG12P038	12
40	ROLL ROD		AG12P039	12
41	SPRING PIN	UNI 6873 ISO 8752 6X60	SP106060	12
42	SPRING PIN	UNI 6873 ISO 8752 10X60	SP110060	12
43	SCREW S.H.C.	UNI 5931 ISO 4762 M10X30	V0410030	48
44	WAVE WASHER	UNI 8840B DIN 137B	RO500012	12
45	SCREW	UNI 5737 ISO 4014 M12x25	V0112025	12



**TABLE 4**

<b>POS.</b>	<b>DESCRIZIONE</b>	<b>DATA</b>	<b>CODE</b>	<b>QUANTITY</b>
1	EXAGONAL AXLE		AG12P040	1
2	CROSS-PIECE		AG12P041	1
3	RIGHT EQUALIZER		AG12P042	1
4	LEFT EQUALIZER		AG12P043	1
5	SPECIAL WASHER	d28 D67 SP5	RO228675	1
6	SELF-LOCKING NUT	UNI 7473 ISO 10511 M20	DA100020	1
7	SPRING PIN	UNI 6873 ISO 8752 10X45	SP110045	2
8	SPRING PIN	UNI 6873 ISO 8752 6X45	SP106045	2
9	PIN FOR EQUALIZER		AG12P044	2
10	PLASTIC BUSHING	d30.5 D36 COLLARE D48	BO131333	4
11	WHEEL COVER		AG10T072	4
12	SELF-LOCKING NUT	UNI 7473 ISO 10511 M16	DA100016	4
13	FLAT WASHER	UNI 6593 ISO 7093 M16	RO100016	4
14	WHEEL	15" x 6.00-6	AG12P045	4
15	WHEEL INTERNAL COVER		AG10T066	4



**TABLE 5**

POS.	DESCRIZIONE	DATA	CODE	QUANTITY
1	CARDAN		AG12P046	1

# **SPARE PARTS LIST**

## **ROTARY RAKE**

### **AG**

### **AG 420/12 – AG460/12**

## **GALFRE' COSTRUZIONI MACCHINE AGRICOLE**

di **GALFRE' DOMENICO & C. s.r.l.**  
Via Centallo, 136 - ROATA CHIUSANI  
12044 CENTALLO (CN) – ITALY  
Tel. 0171.718005 – Fax 0171.718004  
[www.galfre.net](http://www.galfre.net)  
[info@galfre.net](mailto:info@galfre.net)